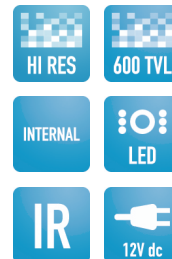


LDB-IR3.6PS

600TVL High Resolution Internal Mini Dome Camera



The LDB-IR3.6PS Internal Dome Camera features superb image quality with 600TVL resolution, and a built-in 3.6mm lens.

The camera also has built-in high performance IR LED's with a 10m IR range. The 3 axis gimbal ensures that the camera can easily be positioned and adjusted for the required view.

Key features

- ▶ 600TVL Resolution
- ▶ Plastic Mini IR Dome Camera
- ▶ 3.6mm Board Lens
- ▶ 0.2Lux (IR OFF), 0Lux (IR ON)
- ▶ High SNR, image clear and exquisite
- ▶ IR-CUT Filter
- ▶ ATW, BLC
- ▶ 10m IR Range
- ▶ 3-Axis Bracket

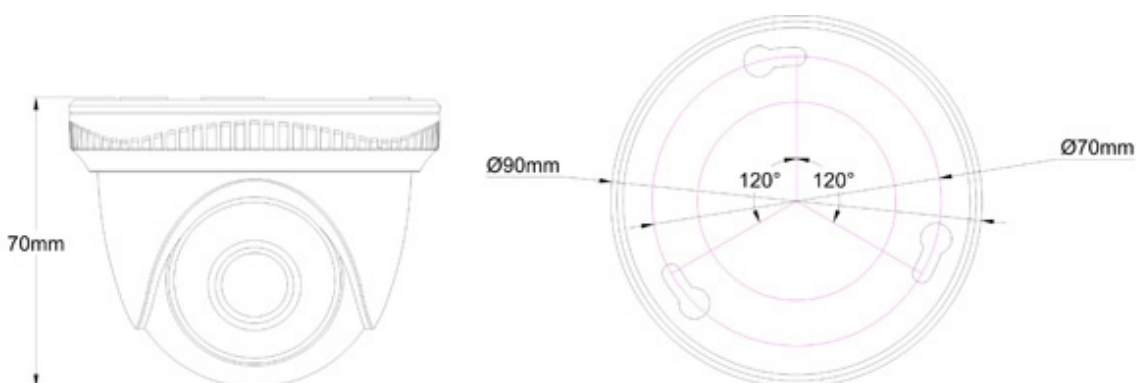
LDB-IR3.6PS

600TVL High Resolution Internal Mini Dome Camera

Specifications

Description / Model	LDB-IR3.6PS
Image Sensor	1/3" High Sensitivity Sensor
Video Format	PAL/NTSC
Resolution	600TVL
Min Illumination	0.2Lux (IR OFF), 0Lux (IR ON)
S/N Ratio	More than 52dB (AGC OFF)
Electronic Shutter	1/50(60)~1/120,000s
BLC	Auto
White Balance	ATW
D/N	Auto
SYNC Mode	Internal
Voltage	DC12V
Current	100±10%mA
Lens	3.6mm (2.8mm/6mm is optional)
IP Rating	None - Internal use only
SMART-IR	Yes
IR Range	10m
IR-CUT	Yes
Angel of Adjustment	Horizontal: 0°~360°; Vertical: 0°~75°
Video output	1Vp-p Composite Output (75Ω/BNC)
Operation Temp	-10 °C~50°C
Storage Temp	-20 °C~60°C
Dimension (mm)	(Diam)90×(H)70
Weight (approx)	130g

NB. Specification subject to change without notification



Applications

- ▶ Retail
- ▶ Office Complexes
- ▶ Colleges
- ▶ Leisure Complexes
- ▶ Schools
- ▶ Restaurants
- ▶ Supermarkets
- ▶ Bars
- ▶ Petrol stations